

AXIS P13 Network Camera Series

Superb image quality for video surveillance in any environment.



- > Superb video quality including HDTV and 5 megapixel
- > P-Iris control
- > Multiple H.264 video streams
- > Digital PTZ and multi-view streaming
- > Outdoor-ready models

AXIS P13 Network Camera Series comprises of indoor and outdoor-ready fixed cameras that deliver superb image quality with H.264 compression and are ideal for high-performance surveillance in any indoor or outdoor environment. The megapixel models also deliver HDTV 720p/1080p video.

AXIS P13 Series offers cameras supporting a range of resolutions up to 5-megapixel with AXIS P1347 and AXIS P1347-E cameras. Models are available in both indoor and "-E" outdoor-ready versions. The cameras provide wide dynamic range, and day and night functionality for superb image quality in daylight and dark conditions.

The 3- and 5-megapixel cameras also offer the unique and revolutionary P-Iris control, which allows the cameras to precisely control the iris position to optimize depth of field and lens resolution for optimal image sharpness.

All AXIS P13 cameras deliver multiple H.264 and Motion JPEG video streams. H.264 greatly reduces bandwidth and storage needs without compromising image quality.

The SVGA and megapixel models have a remote back focus function that enables the focus to be fine-tuned from a computer. The same models also offer digital pan/tilt/zoom, and the 3- and 5-megapixel cameras additionally provide multi-view streaming.

AXIS P13 cameras support Power over Ethernet (PoE) for easy installation. The outdoor-ready models operate using PoE and High PoE in temperatures from -40 °C to 50 °C (-40 °F to 122 °F).



High-performance indoor/outdoor cameras

AXIS P13 Series offers fixed network cameras suitable for a range of video surveillance applications, including government and industrial buildings, retail environments, airports, railway stations and schools.

Easy installation with focus assistant, remote focus and pixel counter

Setting the focus on all AXIS P13 cameras is made easy with the focus assistant, which indicates with a flashing green LED when an image is in focus after manually adjusting the lens. Additionally, the SVGA and megapixel models offer remote back focus, which allows the focus to be fine-tuned from a computer. The pixel counter further helps the installer verify that the pixel resolution of an object fulfills regulatory or customer requirements, for example, for facial identification.

Digital PTZ and multi-view streaming

The SVGA and megapixel camera models support digital pan/tilt/zoom, which allows a selected area of interest to be cropped from the full view for viewing or recording, thereby minimizing the bit rate and storage needs. The 3- and 5-megapixel cameras also support multi-view streaming, which allows several cropped view areas to be streamed simultaneously, simulating up to eight virtual cameras.

Outdoor-ready models

AXIS P13-E Network Cameras save installation time and costs since they are ready out of the box for mounting outdoors. The IP66-rated cameras have protection against dust, rain, snow and sunlight, and can operate in temperatures as low as -40 °C (-40 °F). The cameras are powered by Power over Ethernet, which makes installation easy since there is no need for a separate power cable. An integrated dehumidifying membrane eliminates any humidity caught in the camera enclosure during installation. The cameras enable easy mounting of an infrared illuminator under the enclosure. They come with a wall mount bracket, sunshield and cable glands.



Multi-view streaming with AXIS P1346/-E and AXIS P1347/-E Network Cameras



One camera



Full overview enabling cropped view areas



Multiple virtual camera views
(up to eight views possible)

P-Iris control

The 3-megapixel AXIS P1346/-E and the 5-megapixel AXIS P1347/-E cameras feature a new and advanced precise iris control, P-Iris, that sets new image quality standards for fixed cameras. It comprises a special P-Iris lens together with specialized software in the camera to enable the camera to set the best iris position for optimal image contrast, clarity, resolution, and depth of field. Having good depth of field—where objects at different distances from the camera are in focus simultaneously—allows more of a scene to be clearly visible.

P-Iris is especially beneficial for megapixel cameras as it can help the cameras maintain the delivery of crisp, high-resolution images, even in difficult lighting situations. P-Iris uses the same type of connector and cable as the traditional DC-iris control, which is also supported by the 3- and 5-megapixel cameras for backward compatibility.

For more on P-Iris and iris controls, go to:
www.axis.com/corporate/corp/tech_papers.htm

Technical Specifications – AXIS P13 Network Camera Series

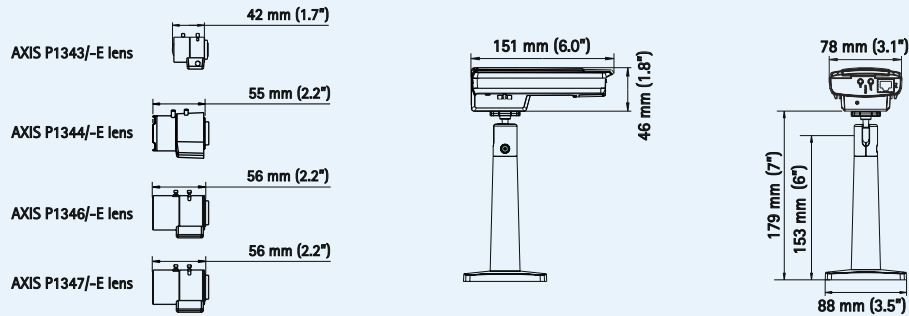
Camera	
Models: indoor	AXIS P1343: SVGA resolution, day and night AXIS P1344-E: 1 MP/HDTV 720p, day and night AXIS P1346: 3 MP/HDTV 1080p, day and night AXIS P1347: 5 MP, day and night
Models: outdoor	AXIS P1343-E: SVGA resolution, day and night AXIS P1344-E: 1 MP/HDTV 720p, day and night AXIS P1346-E: 3 MP/HDTV 1080p, day and night AXIS P1347-E: 5 MP, day and night
Image sensor	AXIS P1343/-E: Progressive scan RGB CMOS 1/4" AXIS P1344/-E: Progressive scan RGB CMOS 1/4" AXIS P1346/-E: Progressive scan RGB CMOS 1/3" (effective) AXIS P1347/-E: Progressive scan RGB CMOS 1/2.5"
Lens	All AXIS P13 cameras use IR-corrected, CS-mount lens AXIS P1343/-E: Varifocal 3-8 mm: 61° - 21° view*, F1.0, DC-iris AXIS P1344/-E: Varifocal 3-8 mm: 72° - 28° view*, F1.2, DC-iris AXIS P1346/-E: Varifocal 3.5-10 mm: 72° - 27° view*, F1.6, P-Iris; DC-iris lenses also supported AXIS P1347/-E: Varifocal 3.5-10 mm: 89° - 33° view*, F1.6, P-Iris; DC-iris lenses also supported *horizontal angle of view
Day and night	Automatically removable infrared-cut filter
Minimum illumination	AXIS P1343/-E: Color: 0.2 lux, B/W: 0.05 lux, F1.0 AXIS P1344/-E: Color: 0.3 lux, B/W: 0.05 lux, F1.2 AXIS P1346/-E: Color: 0.5 lux, B/W: 0.08 lux, F1.6 AXIS P1347/-E: Color: 0.5 lux, B/W: 0.08 lux, F1.6
Shutter time	AXIS P1343/-E, AXIS P1344/-E: 1/24500 s to 1/6 s AXIS P1346/-E: 1/35500 s to 1/6 s AXIS P1347/-E: 1/25500 s to 1/6 s
Video	
Video compression	H.264 (MPEG-4 Part 10/AVC) Motion JPEG
Resolutions	AXIS P1343/-E: 800x600 (SVGA) to 160x90 AXIS P1344/-E: 1280x800* (1 MP) to 160x90 AXIS P1346/-E: 2048x1536 (3 MP) to 160x90 AXIS P1347/-E: 2560x1920 (5 MP) to 160x90 *1440x900 (1.3 MP) scaled resolution available via VAPIX®
Frame rate H.264/ Motion JPEG	AXIS P1343/-E, AXIS P1344/-E: 30 fps in all resolutions AXIS P1346/-E, AXIS P1347/-E: 3 MP mode: 20 fps in all resolutions; HDTV 1080p (1920x1080) mode and 2 MP 4:3 (1600x1200) mode: 30 fps in all resolutions AXIS P1347/-E: 5 MP mode: 12 fps in all resolutions
Video streaming	Multiple, individually configurable streams in H.264 and Motion JPEG Controllable frame rate and bandwidth VBR/CBR H.264
Multi-view streaming	AXIS P1346/-E: Up to 8 individually cropped out view areas. When streaming 5 view areas in VGA resolution, the rate is 20 fps per stream in H.264/Motion JPEG (3 MP capture mode) AXIS P1347/-E: Up to 8 individually cropped out view areas. When streaming 4 view areas in VGA resolution, the rate is 12 fps per stream in H.264/Motion JPEG (5 MP capture mode)
Pan/Tilt/Zoom	Digital PTZ, preset positions, guard tour
Image settings	Compression, color, brightness, sharpness, contrast, white balance, exposure control, exposure zones, backlight compensation, fine tuning of behavior at low light, rotation, mirroring of images, wide dynamic range - dynamic contrast Text and image overlay, privacy mask AXIS P1343/P1344/P1346/P1347: Corridor Format
Audio	
Audio streaming	Two-way
Audio compression	AAC LC 8/16 kHz, G.711 PCM 8 kHz, G.726 ADPCM 8 kHz Configurable bit rate
Audio input/output	External microphone input or line input, line output AXIS P1343/P1344/P1346/P1347: Built-in microphone

Network	
Security	Password protection, IP address filtering, digest authentication, HTTPS encryption**, IEEE 802.1X network access control**, user access log
Supported protocols	IPv4/v6, HTTP, HTTPS**, QoS Layer 3 DiffServ, FTP, SMTP, Bonjour, UPnP, SNMPv1/v2c/v3(MIB-II), DNS, DynDNS, NTP, RTSP, RTP, TCP, UDP, IGMP, RTCP, ICMP, DHCP, ARP, SOCKS
System integration	
Application Programming Interface	Open API for software integration, including VAPIX® and AXIS Camera Application Platform from Axis Communications, available at www.axis.com ONVIF, specification available at www.onvif.org AXIS Video Hosting System (AVHS) with One-Click Camera connection
Intelligent video	Video motion detection, active tampering alarm, audio detection, AXIS Camera Application Platform
Events	Intelligent video, external input
Alarm actions	File upload via FTP, HTTP and email; notification via email, HTTP and TCP; external output activation; video and audio recording to edge storage; pre- and post-alarm video buffering
Installation aids	Focus assistant, pixel counter, remote back focus
General	
Casing	Camera: Metal (zinc) AXIS P1343-E/P1344-E/P1346-E/P1347-E: IP66- and NEMA 4X-rated, IK10 impact-resistant aluminum enclosure with integrated dehumidifying membrane Color: white NCS S 1002-B
Processor and memory	AXIS P1343-E, AXIS P1344/-E: ARTPEC-3, 128 MB RAM, 128 MB Flash AXIS P1346/-E, AXIS P1347/-E: ARTPEC-3, 256 MB RAM, 128 MB Flash
Power	AXIS P1343/P1344/P1346/P1347: 8-20 V DC or Power over Ethernet (PoE) IEEE 802.3af AXIS P1343/P1344: max. 6.4 W, PoE Class 2 AXIS P1346: max. 9.6 W, PoE Class 3 AXIS P1347: max. 9.0 W, PoE Class 3 AXIS P1343-E/P1344-E/P1346-E/P1347-E: PoE IEEE 802.3af max. 12.95 W or High PoE max 25.5 W
Connectors	RJ-45 10BASE-T/100BASE-TX PoE; 3.5 mm mic/line in, 3.5 mm line out; terminal blocks for power, 1 alarm input and 1 output
Edge storage	SD/SDHC memory card slot (card not included) Support for recording to network share (Network Attached Storage or file server) - available in firmware version 5.40 and up
Operating conditions	AXIS P1343/P1344/P1346/P1347: Humidity 20 - 80% RH (non-condensing); 0 °C to 50 °C (32 °F to 122 °F) AXIS P1343-E/P1344-E/P1346-E/P1347-E: -30 °C to 50 °C (-22 °F to 122 °F) with PoE; down to -40 °C (-40 °F) with High PoE
Approvals	EN 55022, EN 55024, EN 60950-1, EN 61000-6-1, EN 61000-6-2, FCC Part 15 Subpart B Class B, VCCI Class B, C-tick AS/NZS CISPR 22, ICES-003 Class B AXIS P1343/P1344/P1346/P1347: EN 61000-3-2, EN 61000-3-3 AXIS P1343-E/P1344-E/P1346-E/P1347-E: EN 50121-4/IEC 62236, EN 60950-22, IEC 60068-2-6, IEC 60068-2-27, IEC 60529 IP66, NEMA 250 Type 4X, IEC 62262 IK10 AXIS P1346/-E: KCC Class B
Weight	AXIS P1343/P1344/P1346/P1347: 0.6 kg (1.3 lb.) AXIS P1343-E/P1344-E/P1346-E/P1347-E: 3.1 kg (6.8 lb.)
Included accessories	Stand, connector kit, Installation Guide, CD with installation tools, recording software and User's Manual, Windows decoder 1-user license AXIS P1343-E/P1344-E/P1346-E/P1347-E: Wall mount bracket, sunshield, cable glands

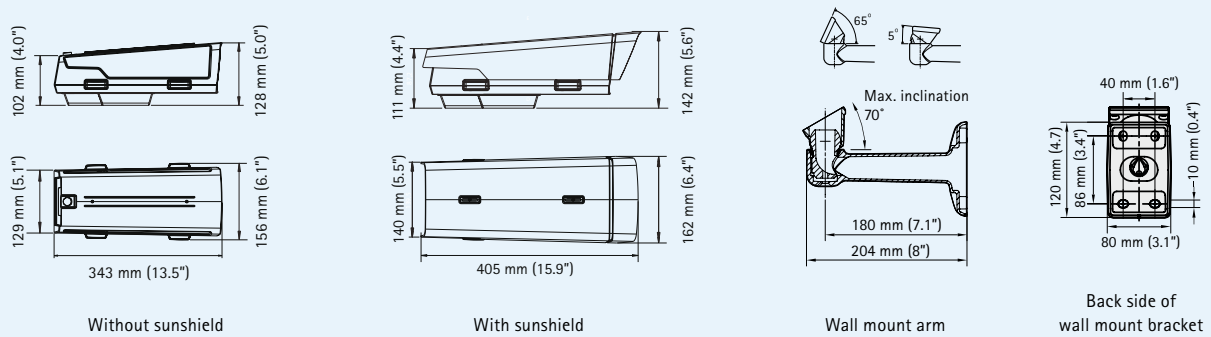
** This product includes software developed by the OpenSSL Project for use in the OpenSSL Toolkit. (www.openssl.org)

Technical Specifications – AXIS P13 Network Camera Series

Dimensions: AXIS P13 Network Cameras



Dimensions: AXIS P13-E Network Cameras and wall mount bracket with internal cable channel



Optional accessories

AXIS PoE Midspan 1-port



AXIS T8123 High PoE 30 W Midspan 1-port



AXIS T90A Illuminators



Lenses



AXIS T8412 Installation Display



For information on AXIS Camera Station and video management software from Axis' Application Development Partners, see www.axis.com/products/video/software/

Optional mounting accessories for outdoor models

Wall bracket accessories

Adapter plate



Pole mount



Corner mount



Ceiling brackets with ball joint



Column mount with ball joint

